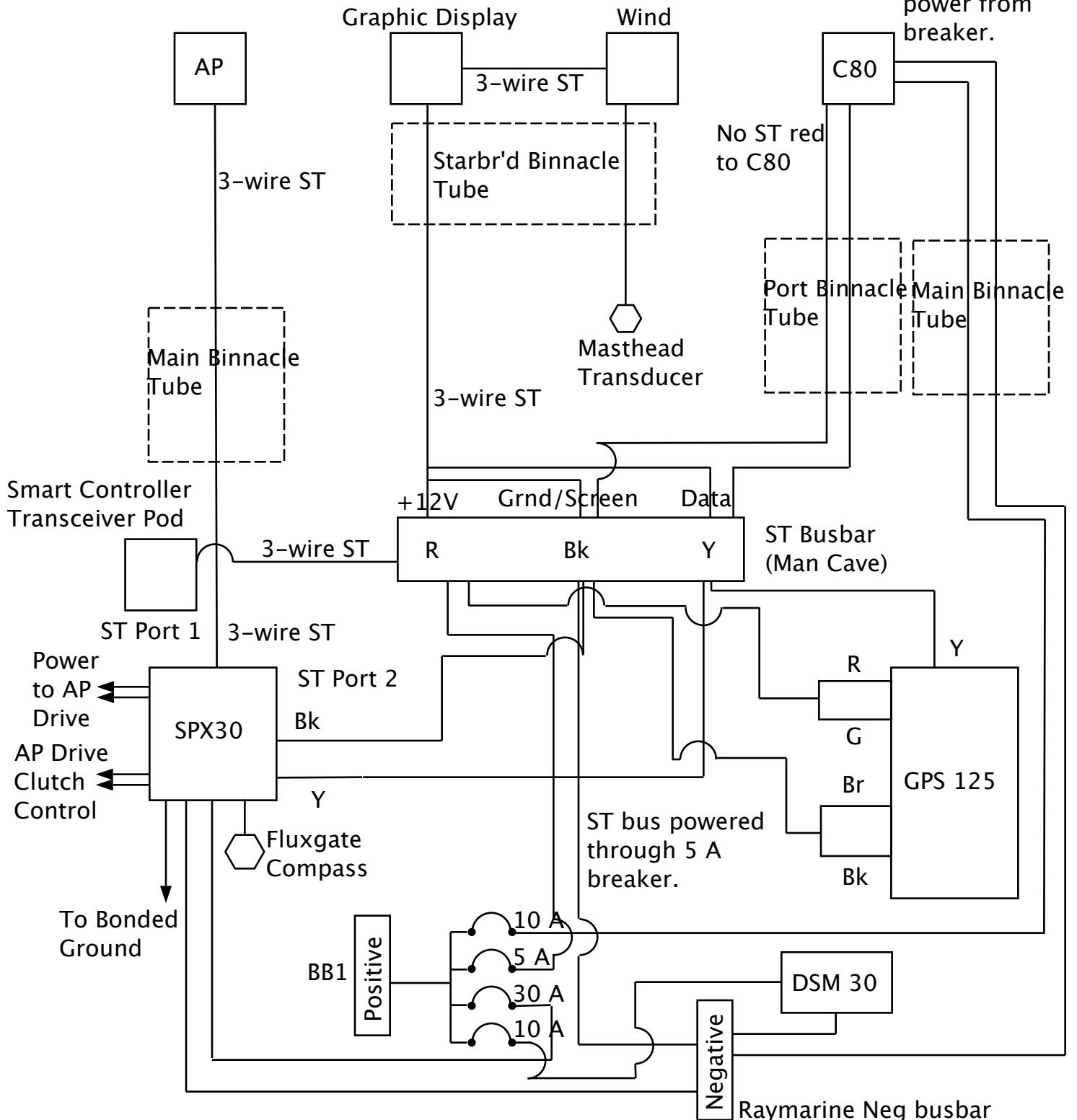


## SeaTalk and Power Circuit.

The phrase "3-wire ST" means that the ST bus both powers the device and provides data. C80 powered by dedicated power from breaker.



C80, SeaTalk bus, DSM 30 and SPX30/AP circuit breakers are Connected to BB2 mounted on a panel below the companionway steps.